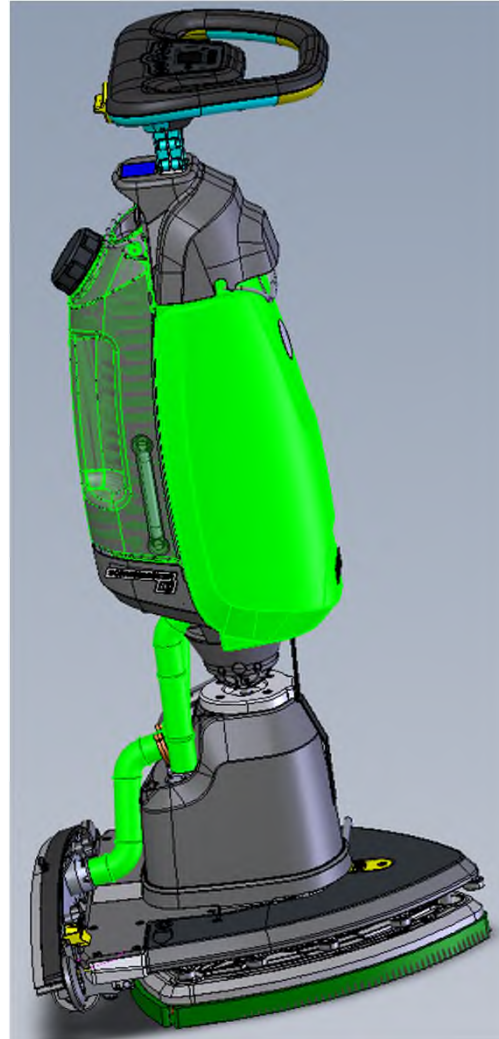
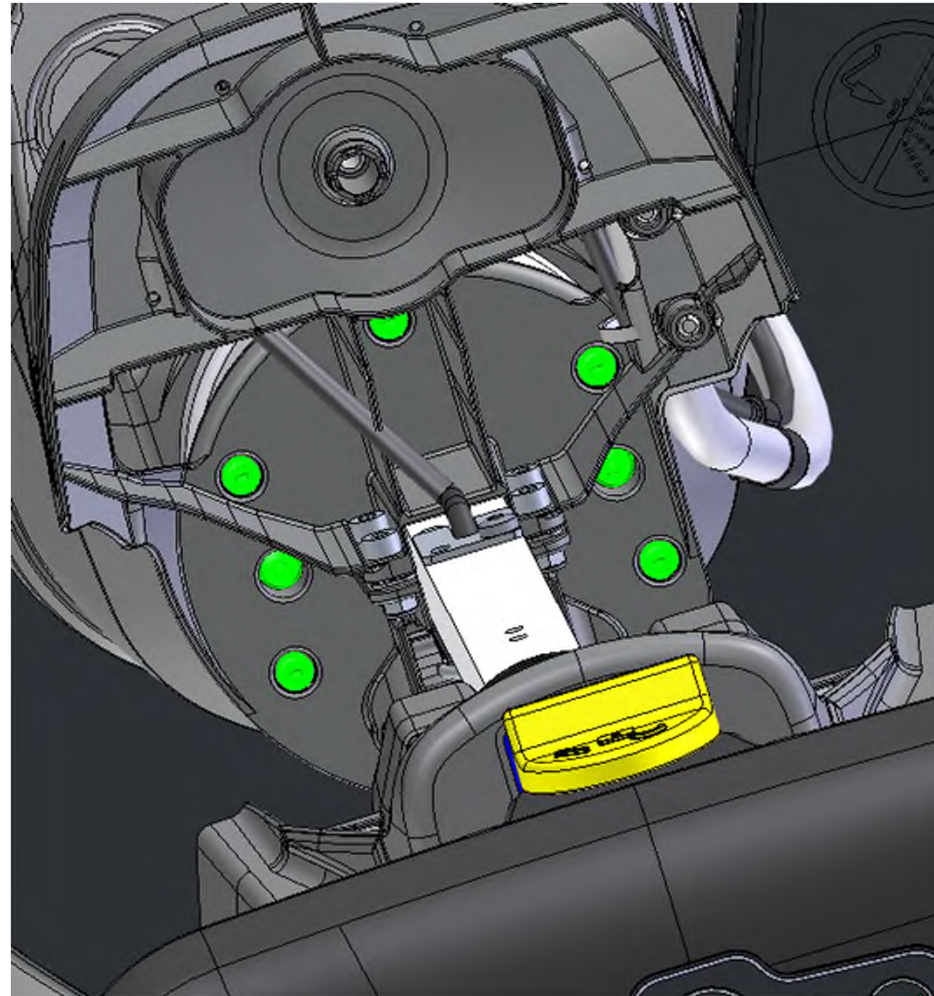


13.5 Access Ball Joint

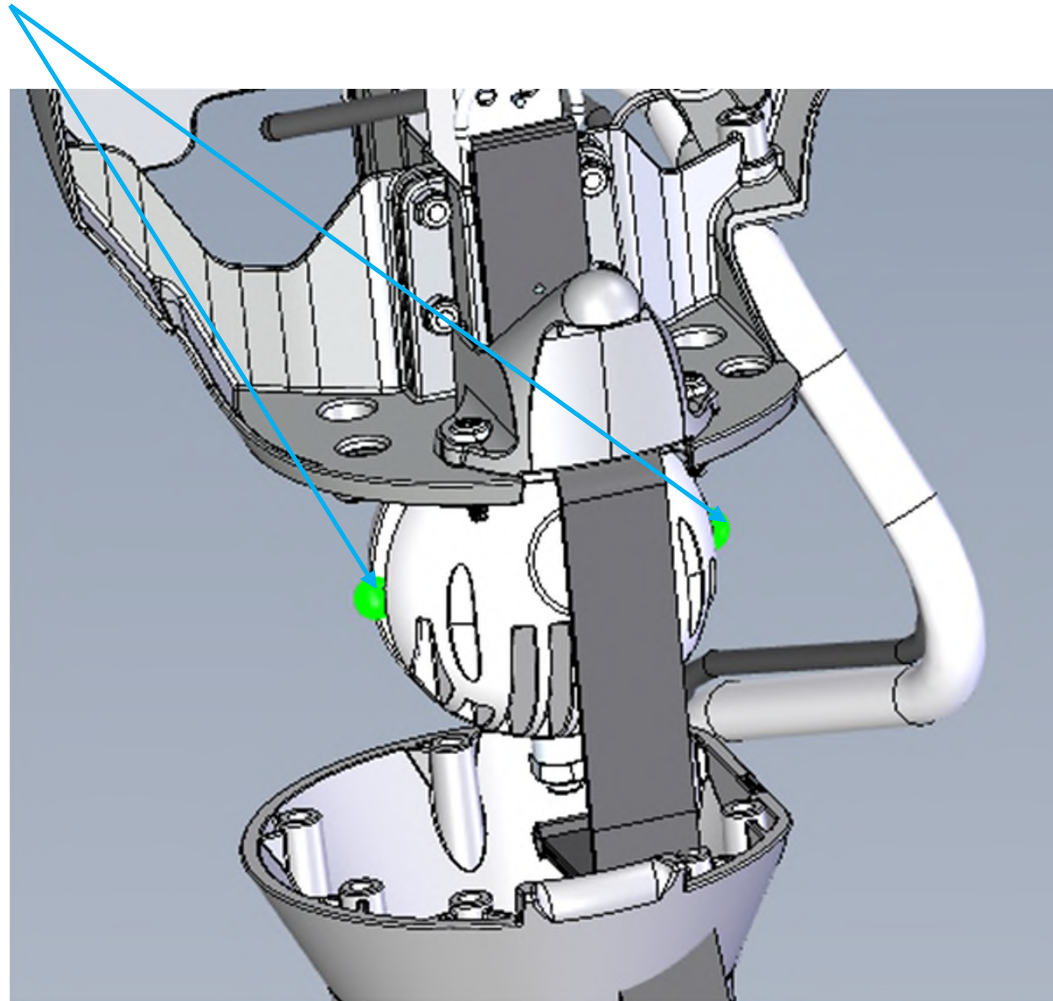
- 1) Remove tanks
- 2) Remove hoses



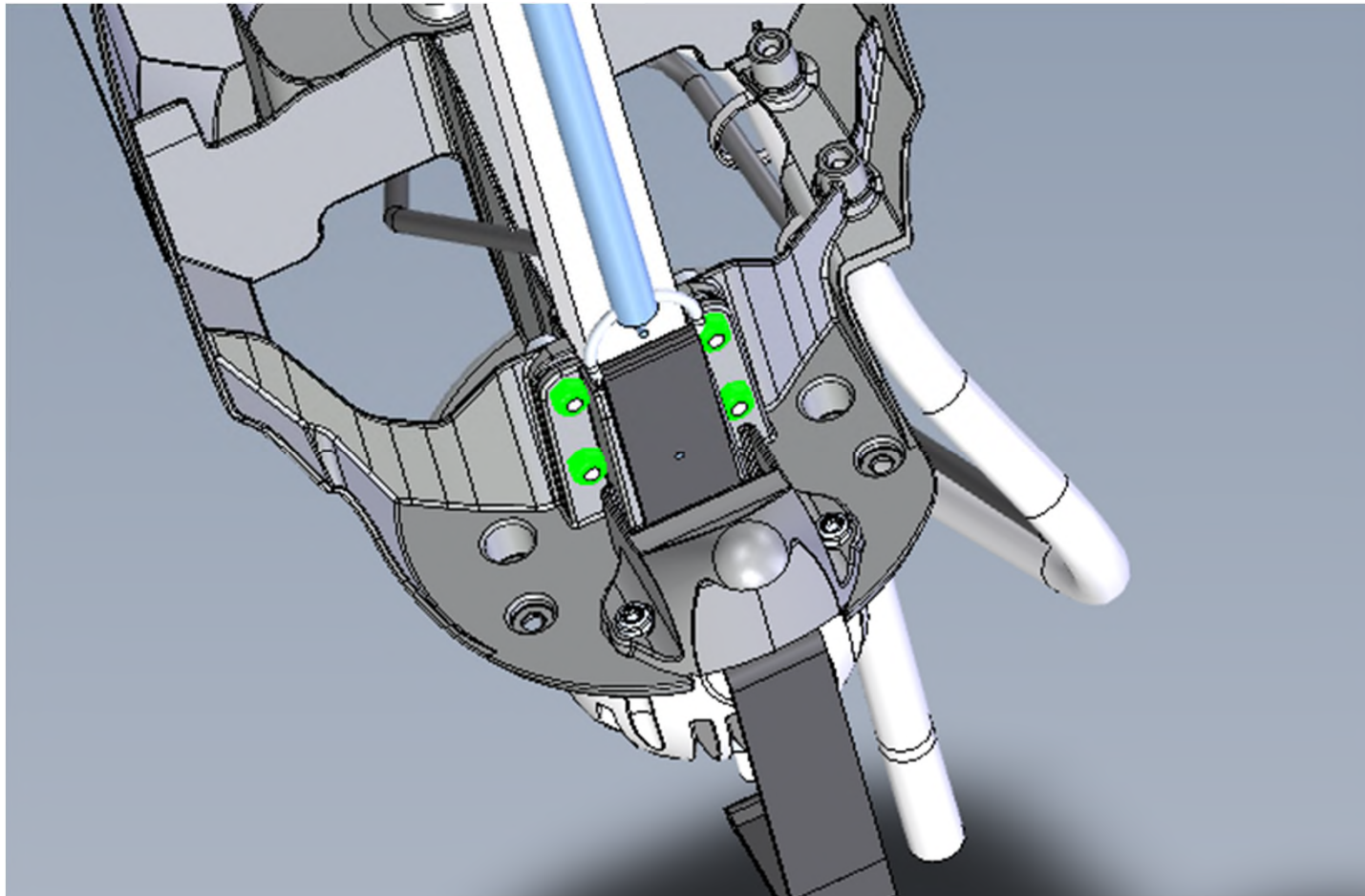
- 3) Loosen the screws
(6 pcs.)



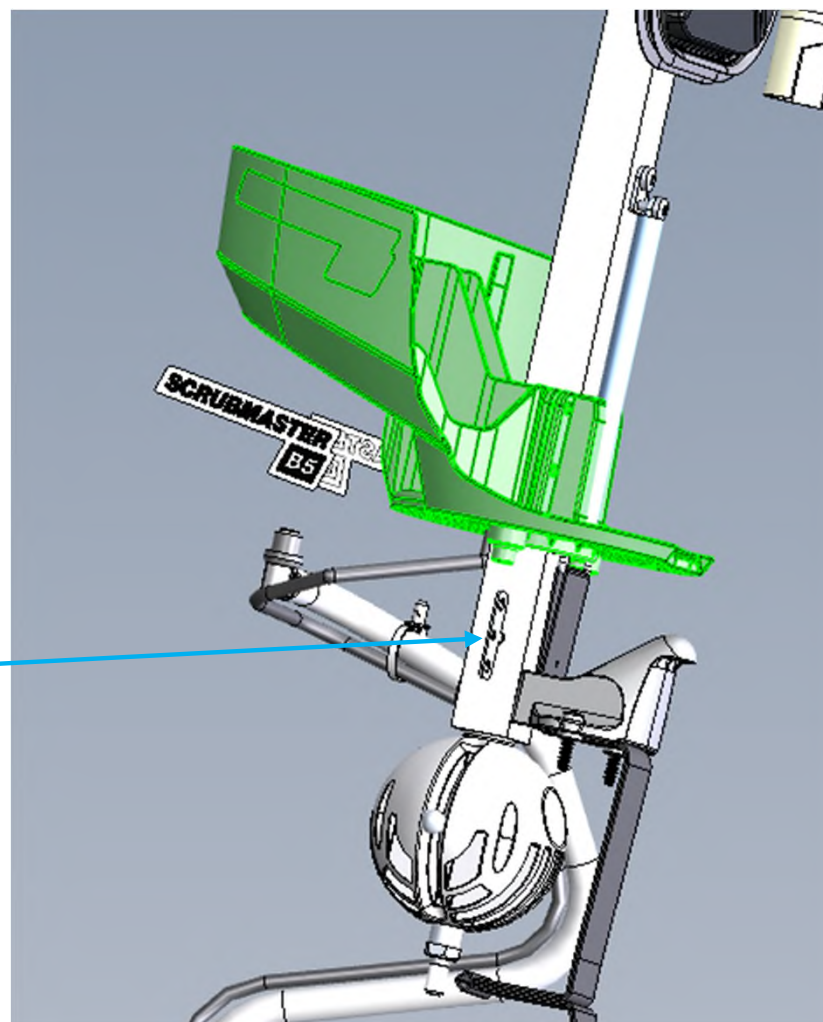
- 4) Pull out the ball socket
downwards
Be careful to secure the two balls!



- 5) Loosen the screws
(4Stk.)



6) Pull the container holder upwards



7) Sicherungsblech
(2Stk.) beidseitig
heraus ziehen

The beam tube is
now free to move

